

OVERHEAD SINGLE PHASE TEMPORARY

NOTES:

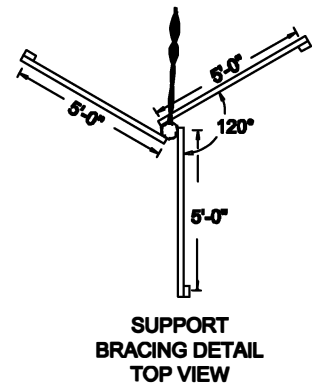
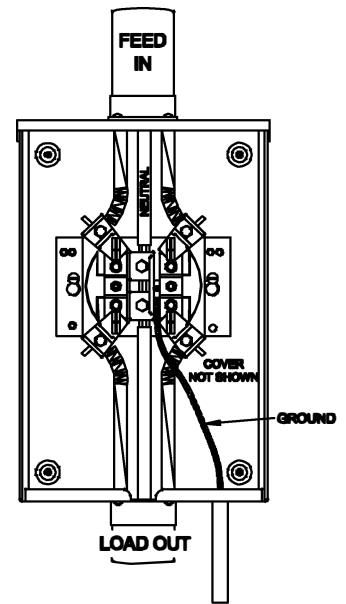
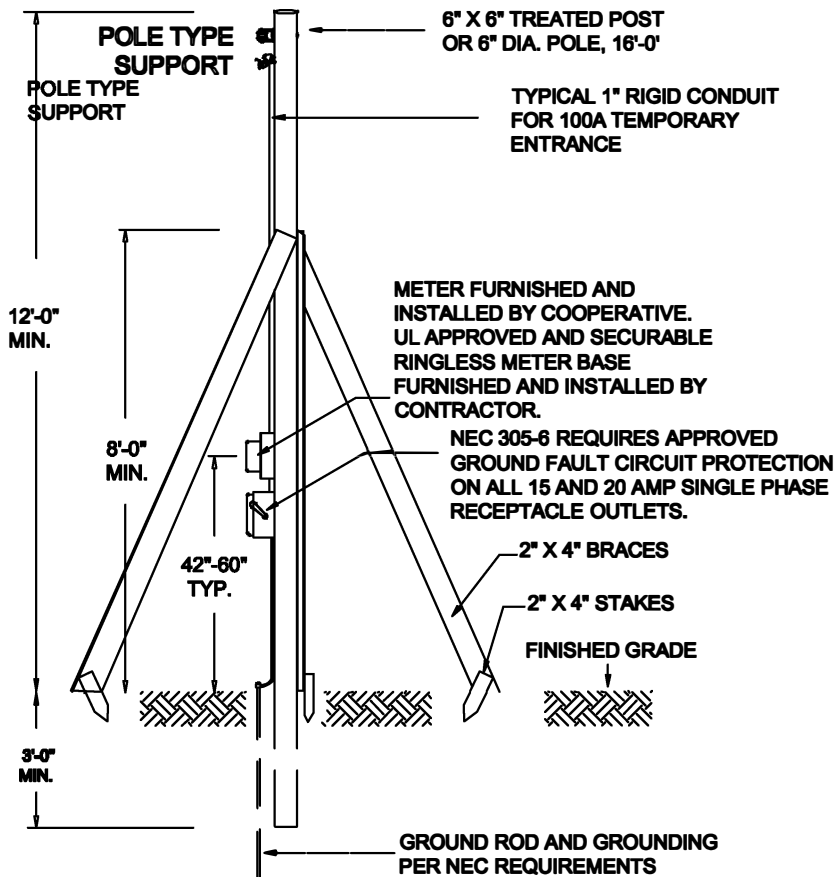
ALL MATERIALS EXCEPT METER ARE TO BE FURNISHED AND INSTALLED BY THE CONTRACTOR. WORK MUST CONFORM TO BOTH NATIONAL AND LOCAL CODES.

DISTANCE FROM UTILITY SUPPLY POLE:

MAXIMUM 75'

MINIMUM 10'

TEMPORARY SERVICES WHICH CROSS PUBLIC RIGHTS OF WAYS AND SUBJECT TO TRAFFIC ARE NOT ALLOWED.



REQUIREMENTS:

1. ALL HARDWARE MUST BE RIGIDLY ATTACHED TO POLE.
2. ALL BOXES AND FITTINGS MUST BE WEATHERPROOF.
3. COPPER SERVICE WIRE REQUIRED (MIN. #2 FOR 100A AND 2/0 FOR 200A)
4. RACK, HOUSE KNOB, OR EYEBOLT (ATTACHMENT HEIGHT MUST PROVIDE A MINIMUM OF 12' SERVICE HEIGHT OVER RESIDENTIAL DRIVEWAY.)
5. THIN-WALLED CONDUIT IS NOT ACCEPTED. RIGID OR SCH 80 ONLY.
6. FUSE OR BREAKER DISCONNECT IMMEDIATELY AFTER METER BASE.
7. 5/8" X 8' GROUND ROD WITH #6 (MIN.) BARE COPPER GROUND WIRE - SECURELY ATTACHED.
8. WIRE TAILS MUST BE 18" LONG (MIN.), 12' FROM GRADE WITH NEUTRAL CLEARLY MARKED.